

Part No.:TC-10670-20-1.85

20dB Directional Coupler 1.85 Female 50Ω 1-67 GHz

电气特性 Electrical:

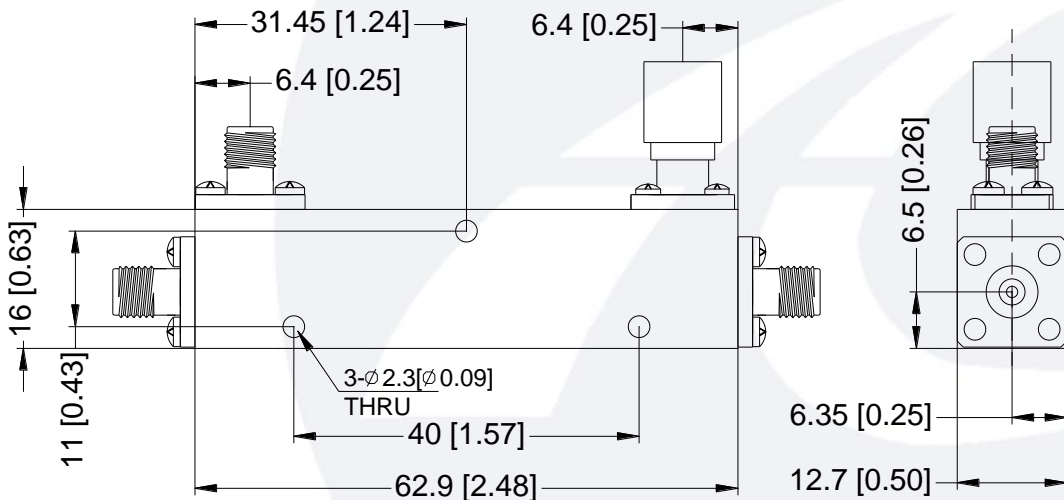
工作频率 Frequency Range: 1-67 GHz
 耦合度 Coupling:: 20± 3.0 db(1G-18G)
 20± 2.3 db(18G-67G)
 插入损耗 Insertion Loss: 2.5db max
 方向性 Directivity: : 10db typ, 8db min
 驻波 VSWR: 1.7 max
 耐功率 Power Handling: 50 Watt
 阻抗 Impedance: 50 OHMS

机械特性 Mechanical:

温度范围 Temperature Range: -45° C - +85° C
 接口 Connectors: 1.85-Female
 相对湿度 Relative Humidity: 0 ~ 90%

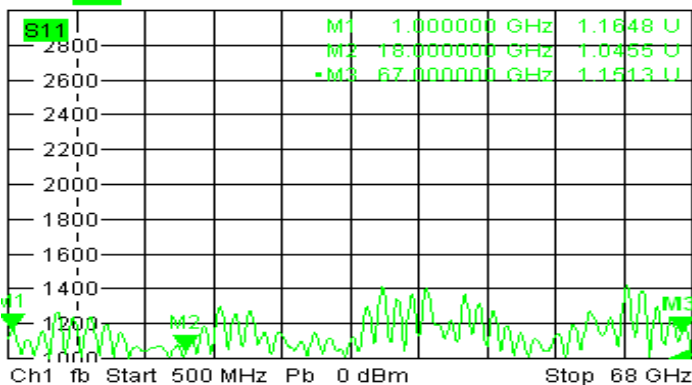
外形尺寸 Outline Drawing:

Unit: mm

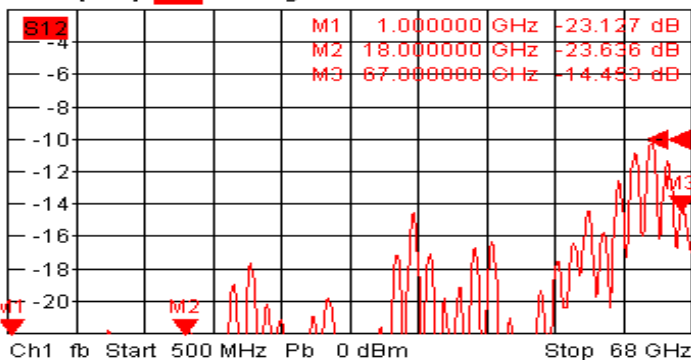




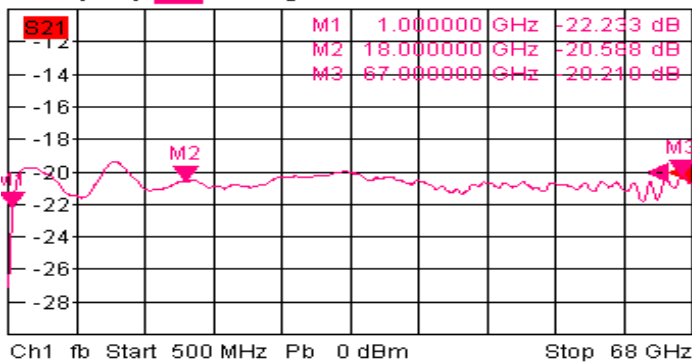
Trc1 **S11** SWR 200 mU/ Ref1 U Cal 1



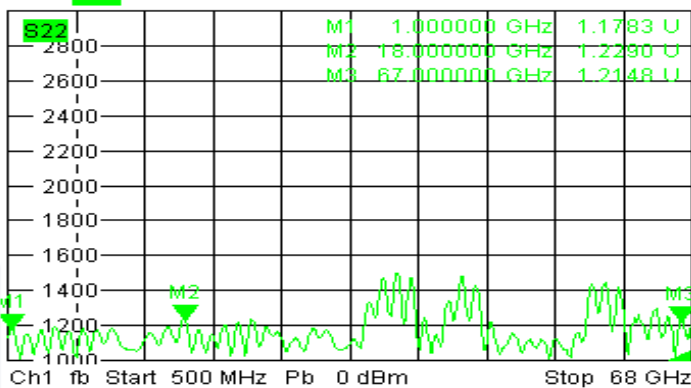
Trc2 **S12** dB Mag 2 dB / Ref -10 dB Cal Math 2
Mem5[Trc2] **S12** dB Mag 2 dB / Ref -10 dB Invisible



Trc3 **S21** dB Mag 2 dB / Ref -20 dB Invisible 3
Mem6[Trc3] **S21** dB Mag 2 dB / Ref -20 dB



Trc4 **S22** SWR 200 mU/ Ref1 U Cal 4



Trc3 **S21** dB Mag 1.5 dB / Ref 0 dB Cal 3 (Max)

